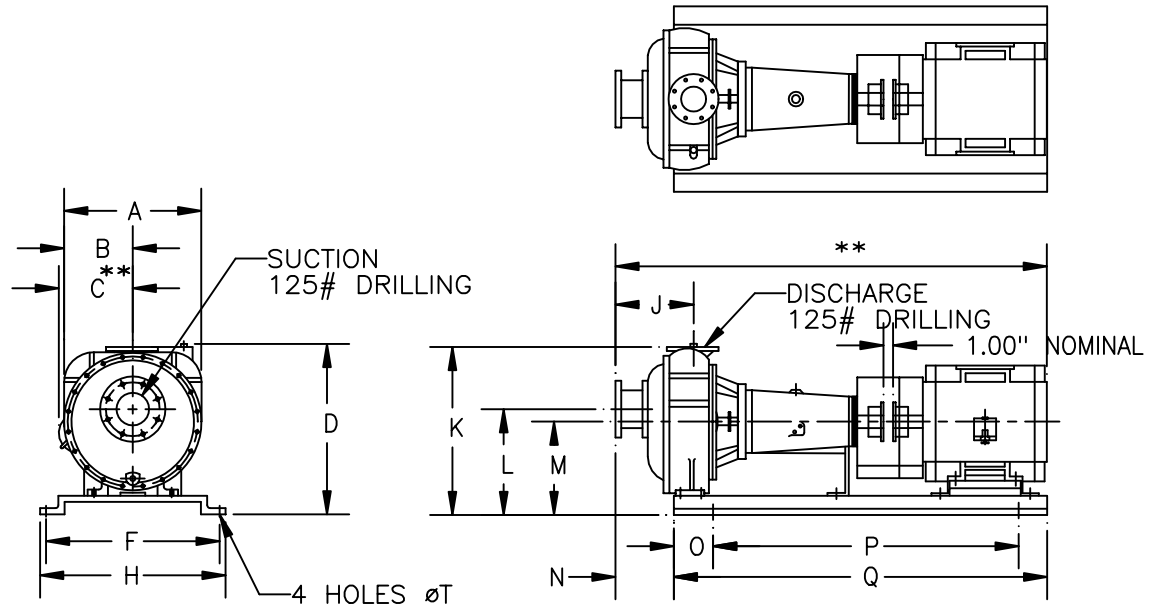


** THESE DIMENSIONS ARE APPROXIMATE,
(BASED ON OPEN MOTORS) & MAY VARY
DEPENDING ON MOTOR MANUFACTURER



ALL DIMENSIONS IN INCHES

MODEL	PUMP SIZE	SUCT	DISCH	FRAME	C**	I**	A	B	D	F	H	J	K	L	M	N	O	P	Q	T	
4E1PEL	4X4X12	4"	4"	254T	8.94	63.19	22.00	11.00	27.69	22.75	24.50	12.31	27.00	17.00	15.13	8.31					
				256T		63.94															
				284T	11.50	65.44															
				286T		66.94															
6E4PEL	6X6X11	6"	6"	254T	8.94	67.12	22.00	11.00	27.69	22.75	24.50	15.75	28.50	15.38	13.63	11.75	8.00	47.00	63.00	.88	
				256T		67.38															
				284T	11.50	68.88															
				286T		70.38															
6E6PEL	6X6X12			324T	13.56	71.56															
				326T		73.06															

REV ISS ZONE	SERIAL NO. _____	DRAWING IS NOT TO SCALE	TITLE PUMP OUTLINE DRAWING	THIRD ANGLE PROJECTION
	CUSTOMER _____		MODEL PRIME LINE	
	CUSTOMER P.O. NO. _____	CERTIFIED: <input type="checkbox"/> FOR APPROVAL <input type="checkbox"/> FOR RECORD	DRAWN MSG 07-16-1998 ORDER	COMPUTER GENERATED
	ITEM NO. _____	BY: _____ DATE _____	ITT Industries Engineered for life Marlow Leisure Products	DRAWING 49161000
SERVICE _____				