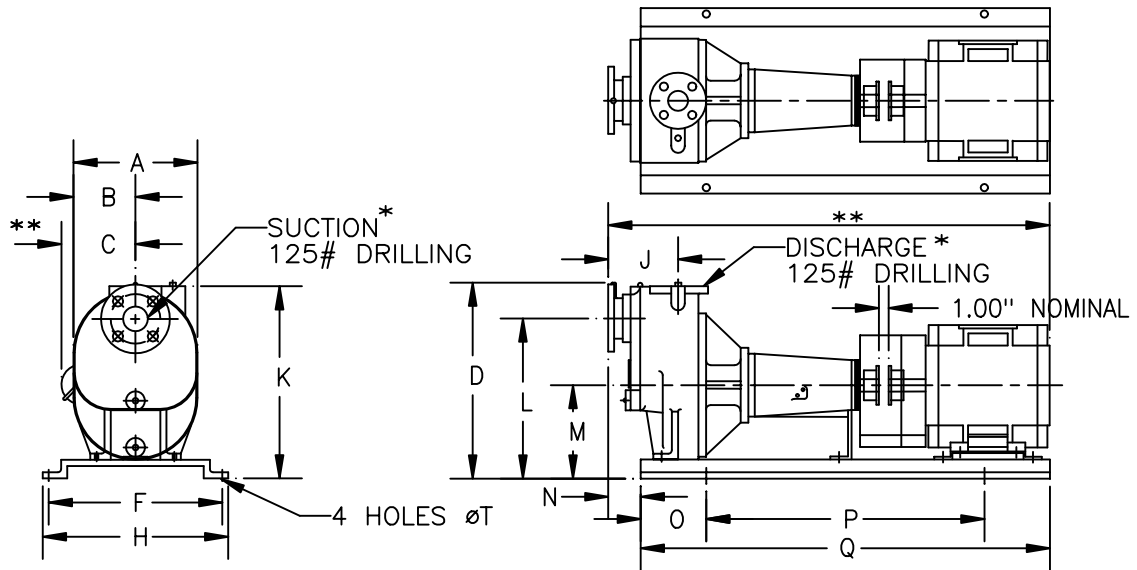


\* 125# DRILLING EXCEPT 2PL SERIES  
 (2" NPT FEMALE)  
 \*\* THESE DIMENSIONS ARE APPROXIMATE & MAY  
 VARY DEPENDING ON MOTOR MANUFACTURER



ALL DIMENSIONS IN INCHES

MODEL	PUMP SIZE	SUCT	DISCH	FRAME	C** OPEN	C** ENCL	I** OPEN	I** ENCL	A	B	D	F	H	J	K	L	M	N	O	P	Q	T
3PL3EL 3PL4EL	3X3X8 3X3X7	3"	3"	182T	6.31	6.31	47.31	49.63	15.50	7.75	22.19	19.00	20.50	9.13	21.50	18.00	10.50	4.75	8.00	37.00	53.00	.69
				184T																		
				213T	7.69	7.69	49.19	52.19														
				215T																		
				254T																		
				256T	11.50	11.88	55.81	58.56														
				284T																		
				284TS	57.31	60.06																
				286TS																		
324TS	13.56	14.06	58.25	62.06																		
4PL1EL 4PL2EL	4X4X10 4X4X9	4"	4"	213T	7.69	7.69	52.00	55.00	19.25	9.63	26.56			11.56	26.00	20.50	12.50	7.56		30.00	46.00	
				215T																		
				254T	8.94	8.94	56.81	60.25														
				256T																		

REV   ISS   ZONE	SERIAL NO. _____	DRAWING IS NOT TO SCALE	TITLE PUMP OUTLINE DRAWING	THIRD ANGLE PROJECTION
	CUSTOMER _____		MODEL PRIME LINE	
	CUSTOMER P.O. NO. _____	CERTIFIED: <input type="checkbox"/> FOR APPROVAL <input type="checkbox"/> FOR RECORD	DRAWN KAI 07-23-1998 ORDER	COMPUTER GENERATED
	ITEM NO. _____		BY: _____ DATE _____	DRAWING 49181000
	SERVICE _____		ITT Industries Engineered for life Marlow Leisure Products	