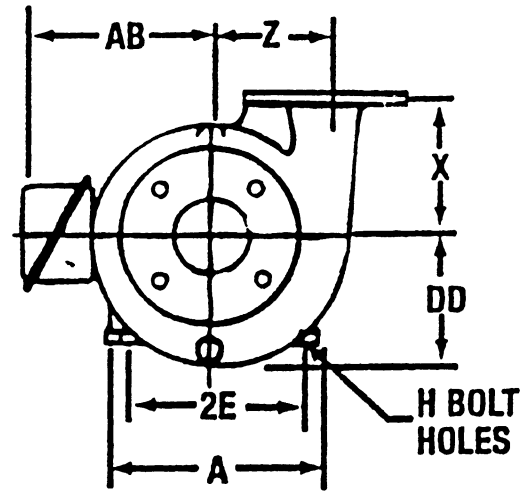
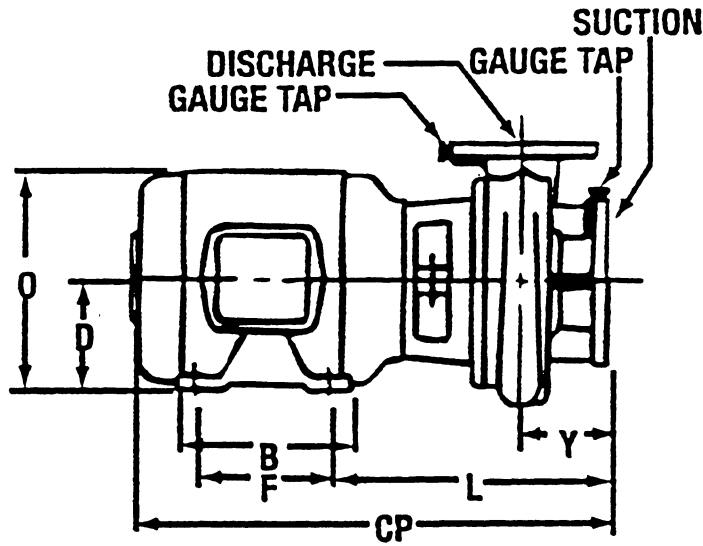


DIMENSIONS: L SERIES



1750 RPM DRIPPROOF MOTORS

All dimensions shown in inches (mm)

MODEL	Suction	Disch.	RPM	HP	Frame	A (Max)	AB (Max)	B (Max)	CP (Max)	D	DD	F	H	L	O	X	Y	Z	2E
2½L1SC	3	2½	1750	5	184JM	9 (229)	8½ (216)	7½ (191)	22½ (581)	4½ (114)	7½ (191)	5½ (140)	1½ (38)	12½ (318)	9¼ (235)	6¼ (163)	4 (102)	6 (152)	7½ (191)
3L1SC	4	3	1750	7½	213JM	10½ (267)	10¼ (273)	7½ (191)	26 (660)	5½ (140)	7 (178)	5½ (140)	1½ (38)	14¼ (363)	11¼ (283)	7½ (191)	4¼ (112)	6¼ (163)	8½ (216)
3L2SC	4	3	1750	10	215JM	10½ (267)	10¼ (273)	9 (239)	27½ (699)	5½ (140)	7 (178)	7 (178)	1½ (38)	14¼ (363)	11¼ (283)	7½ (191)	4¼ (112)	6¼ (163)	8½ (216)
4L1SC	5	4	1750	7½	213JM	10½ (267)	10¼ (273)	7½ (191)	26¼ (667)	5¼ (133)	8¼ (219)	5½ (140)	1½ (38)	14¼ (363)	11¼ (283)	8 (203)	5 (127)	7 (178)	10 (254)
4L2SC	5	4	1750	10	215JM	10½ (267)	10¼ (273)	9 (239)	27¼ (705)	5¼ (133)	8¼ (219)	7 (178)	1½ (38)	14¼ (363)	11¼ (283)	8 (203)	5 (127)	7 (178)	10 (254)
4L3SC	5	4	1750	15	254JP	12¼ (318)	10¼ (273)	10¼ (273)	34¼ (879)	6¼ (159)	8¼ (219)	8¼ (210)	1½ (38)	19 (483)	13¼ (333)	8 (203)	5 (127)	7 (178)	10 (254)
5L1SC	6	5	1750	15	254JP	12¼ (318)	10¼ (273)	10¼ (273)	36 (914)	6¼ (159)	9¼ (241)	8¼ (210)	1½ (38)	20¼ (518)	13¼ (333)	10 (254)	6 (152)	7½ (191)	10 (254)
5L2SC	6	5	1750	20	256JP	12¼ (318)	10¼ (273)	12¼ (318)	37¼ (959)	6¼ (159)	9¼ (241)	10 (254)	1½ (38)	20¼ (518)	13¼ (333)	10 (254)	6 (152)	7½ (191)	11 (279)

THESE DIMENSIONS NOT TO BE USED FOR CONSTRUCTION PURPOSES WITHOUT FORMAL FACTORY APPROVAL
 ITT MARLOW RESERVES THE RIGHT TO MAKE CHANGES IN DESIGN, MATERIAL, AND PRICES WITHOUT NOTICE.



Marlow

Marlow
 8200 N. Austin Avenue
 Morton Grove, IL 60053
 Phone: (847) 583-2000
 Facsimile: (847) 965-8379
<http://www.marlowpumpsonline.net>

© COPYRIGHT 1989, 1999, 2001 BY ITT INDUSTRIES, INC.
 PRINTED IN U.S.A. 2-01